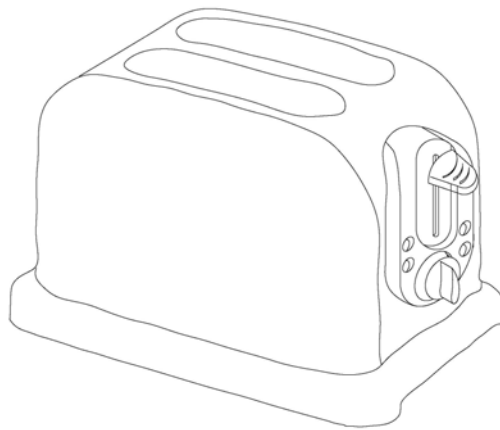




2-SLICE TOASTER

EWTS3S2

-HOUSEHOLD USE ONLY-



 **CAUTION:**

BEFORE USE, PLEASE READ AND FOLLOW ALL IMPORTANT SAFEGUARDS, PRECAUTIONS AND OPERATING INSTRUCTIONS.

Table of Contents

Safety Instructions	3-5
Parts and Features	6
Operating Instructions	7-8
Cleaning and Maintenance	9
Warranty	10

What You Need to Know About Safety Instructions

Warnings and Important Safety Instructions appearing in this manual are not meant to cover all possible conditions and situations that may occur. Common sense, caution and care must be exercised when installing, maintaining, or operating appliance.

Always contact your authorized distributor about problems or conditions you do not understand.

Recognize Safety Symbols, Words, Labels

⚠ WARNING

WARNING-Hazards or unsafe practices which **COULD** result in severe personal injury or death.

⚠ CAUTION

CAUTION-Hazards or unsafe practices which **COULD** result in minor personal injury.

IMPORTANT SAFEGUARDS

⚠ WARNING

When using electrical appliances, basic safety precaution should always be followed, including the following:

READ ALL INSTRUCTIONS

- 1) Do not touch hot surfaces. Metal parts can become hot. Use handles or knobs. All stainless steel surfaces become extremely hot.
- 2) To protect against electrical shock, **DO NOT** immerse cord, plug or toaster in water or other liquids.
- 3) Close supervision is necessary when any appliance is used by or near children.
- 4) Do not attempt to dislodge food when the toaster is plugged into electrical outlet.
- 5) Do not insert fingers or metallic utensils into slots when toaster is plugged in.

- 6) Unplug the appliance from the outlet when not in use, assembling and disassembling, and before cleaning. Allow to cool before putting on or taking off parts.
- 7) Do not insert utensils or foil-covered or oversized foods in toaster as they may involve a risk of fire or electric shock.
- 8) Do not pull, twist or otherwise abuse cord.
- 9) Do not operate the toaster without the crumb tray being in its correct position. (Clean out accumulated crumbs frequently to avoid risk of fire or toaster malfunction.)
- 10) Do not toast food that will drip when heated. Such accumulations inside the toaster create unsanitary conditions and the possibility of fire or toaster malfunction.
- 11) Do not operate any appliance with a damaged cord or plug, or after the appliance malfunctions or has been damaged in any manner. Contact an authorized distributor.
- 12) Do not let cord hang over edge of table or counter, or touch hot surfaces.
- 13) This appliance is for household use only. Do not use outdoors.
- 14) Do not allow this product to touch curtains, wall coverings, clothing, dishtowels, or other flammable materials during its use to prevent fire.
- 15) Do not place the appliance on or near a hot gas or electric burner, or in a heated oven or microwave oven.
- 16) Never leave appliance unattended when in use.
- 17) Do not use this appliance for other than its intended use.
- 18) The use of attachments or accessories not recommended or sold by the manufacturer may result in fire, electric shock or injury.
- 19) Before using for the first time, check if voltage indicated on the base of the appliance corresponds to the voltage in your home.
- 20) Do not turn the power on unless this appliance is properly assembled.
- 21) Never force the bread slices into toasting slot. Foods should fit freely between the guard wires.

 **CAUTION:**

This product is equipped with a polarized plug (one blade is wider than the other blade) as a safety feature to reduce the risk of electrical shock. This plug will fit into a polarized outlet only one way. This is a safety feature. If you are unable to insert the plug into the electrical outlet, try reversing the plug. If the plug still does not fit, contact a qualified electrician.

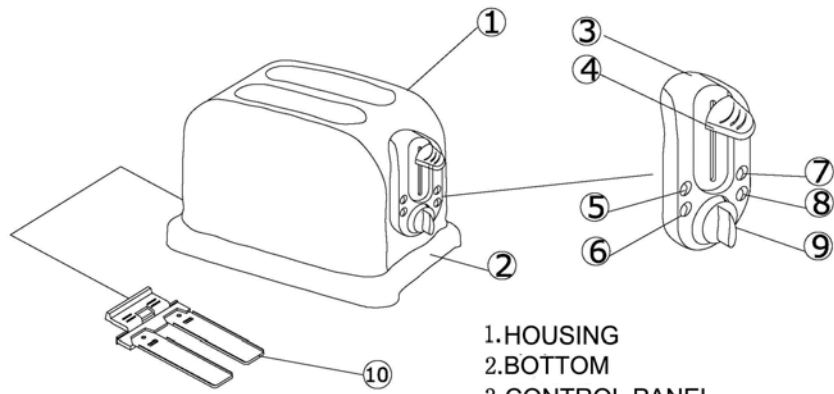
Never use the plug with an extension cord unless the plug can be fully inserted into the extension cord. Do not alter the plug of the appliance or any extension cord used with this appliance. Do not attempt to defeat the safety purpose of the polarized plug.

IMPORTANT INSTRUCTIONS ABOUT POWER CORD

1. A short power-supply cord (or detachable power-supply cord) is to be provided to reduce the risk resulting from becoming entangled in or tripping over a longer cord.
2. Longer detachable power-supply cords or extension cords are available and may be used if care is exercised in their use.
3. If a longer detachable power-supply cord or extension cord is used:
 - A. The marked electrical rating of the cord set or extension cord should be at least as great as the electrical rating of the appliance, and
 - B. The cord should be arranged so that it will not drape over the countertop or tabletop where it can be pulled on by children or tripped over unintentionally.

SAVE THESE INSTRUCTIONS

Parts and Features



1. HOUSING
2. BOTTOM
3. CONTROL PANEL
4. PUSH BUTTON
5. CANCEL BUTTON
6. BAGEL BUTTON
7. REHEAT BUTTON
8. DEFROST BUTTON
9. TIME KNOB
10. CRUMB TRAY

SPECIFICATIONS:

- Voltage Rating: 120V 60Hz
- Power Rating: 920-watt (2-Slice)
- Maximum Capacity: 2 Slice, Wide Slots
- Various Electronic Browning Control
- Slide Out Crumb Tray
- Cancel-Bagel Buttons
- Defrost-Reheat Buttons
- Cool Touch Housing
- Cord Wrap

Before Your First Use

Carefully unpack the toaster and remove all packaging materials. Select a flat, heat-resistant, non-flammable surface to place toaster. Do not immerse the toaster in water or other liquid. To remove any dust that may have accumulated on the removable parts during packaging, clean the surface with damp cloth and remove any stickers (except stickers for safety, caution, or warnings). In order to remove any possible remains from the manufacturing operation, the appliance should, before being used for the first slices of toast, be heated up to 1 to 2 times to the highest toasting temperature, without any bread in the toaster slots (ventilate the room).

Operating Instructions



CAUTION:

All types of bread or bagels can be used for toasting, but the slices should not be too thin or too thick. The fresh bread and dark coarse bread requires longer toasting than drier bread.

TOASTING NOTES

Toasting is a combination of cooking and drying the bread; moisture levels differ from one bread to another, which can result in varying toasting times.

- For slightly dry bread, use a lower light/dark setting than normal.
- For fresh bread or whole wheat, use a higher setting than normal.
- Breads with very uneven surfaces (such as English muffins) will require a higher light/dark setting.
- Thickly cut pieces of bread (including bagels) will take longer to toast, sometimes significantly longer, since more moisture must be evaporated from the bread before toasting can occur.
- Very thick pieces may require two cycles.
- When toasting raisin or other fruit breads, remove any loose raisins from the surface of the bread before placing into the toaster. This will help prevent pieces from falling into the toaster or sticking on the guard wire in the slot.
- Before toasting bagels, slice each bagel into two equal halves.

NOTE: During toasting cycle, the user may cancel the cycle by pressing the 'Cancel' button at anytime.

TOASTING

1. Plug the appliance into the electrical socket.
2. Insert the slice(s) of bread into the slots.
3. Select the desired degree of toasting by adjusting the browning control knob.
4. Push down the lever to start the toasting cycle.
5. When cycled ends, the toast will pop up and the unit will shut off automatically.

There are three function buttons to be chosen before toasting:

DEFROST (frozen), REHEAT (keep warm), BAGEL

DEFROST

The defrost button is designed to firstly defrost and then toast the bread, which extends the toasting cycle slightly.

- 1) Insert slices of bread into the bread slots.
- 2) Turn the light/dark selector onto the desired position.
- 3) Press the "Defrost" button.
- 4) Press the bread carriage lever down until it locks into position.
- 5) When the cycle is completed the high lift lever will raise the toast up. To terminate the cycle before it is completed, simply press the cancel button.

REHEAT

The reheat button is designed to warm the bread that has already been toasted, which shortens the toasting cycle slightly.

- 1) Insert slices of bread into the bread slots.
- 2) Press the "Reheat" button.
- 3) Press the lever down until it locks into position.
- 4) When the cycle is completed the bread carriage will raise the toast up.
- 5) If you wish to stop the toasting before it is finished, simply press the cancel button.

BAGEL

The bagel button is designed to only use one side(s) of the heating elements, which will toast the cut side of the bagel.

- 1) Insert sliced bagel or English muffin with cut sides facing to the inside of toaster. Only the inside coils will heat up.
- 2) Press the "Bagel" button.
- 3) Press the bread carriage lever down until it locks into position.
- 4) When the cycle is completed the lever will raise the bagel up. To terminate the cycle before it is completed, simply press the cancel button.

CANCEL

If the user wishes to stop the toasting cycle at any moment, this button may be pressed to stop the operation and the toast will pop up immediately.

Cleaning and Maintenance

COMPLETELY CLEAN AND DRY ALL PARTS AFTER EVERY USE.

Always turn toaster "Off" and remove the plug from the electrical outlet before cleaning it. Wait for toaster to cool down.

Wipe the outside of toaster with a damp cloth and dry with another cloth or paper towel. Do not use abrasive cleaners.

To avoid damage to toast heating elements, do not use any pointed or sharp articles for cleaning the inside of the toaster.

CRUMB TRAY

Gently slide the crumb tray out to dump the crumbs. Use a damp cloth to clean the crumb tray. Always dry the crumb tray before replacing. Push firmly to close the tray and make sure the tray fits up against the toaster.

NOTE: To prevent a possible fire, we recommend cleaning the crumb tray every other week.

SAVE THESE INSTRUCTIONS

ewave

Limited Warranty

This **Ewave** product is warranted, to the original purchaser or gift recipient, to be free from any manufacturing defects under normal use and conditions for a period of one (1) year from the date of purchase as shown on retailer's receipt.

The obligation of **MC Appliance** under this warranty shall be limited to repair or replacement (at our option) during the warranty period, of any part that proves to be defective in material or workmanship under normal installation and use. The product is to be returned to **MC Appliance** or an Authorized Service Center **POSTAGE PREPAID**. A copy of the original receipt along with your name, address and phone number must accompany products returned. Include a description of the defect along with the date you purchased the product.

This warranty shall be invalid if the product is damaged as a result of misuse, abuse, negligence, defacement, destruction, accident, fire or other casualties or alterations in any manner. Improper repair, improper use of electrical voltages or currents, alteration of serial number, maintenance by any person or entity other than our own Service Facility or Center, or any use not in conformity with product instruction, shall render this warranty invalid.

MC Appliance assumes no responsibility for damage resulting from the use of this product in a manner or location other than that for which it was intended.
WARRANTY CONDITIONAL TO NORMAL AND NON-COMMERCIAL USE OF THIS APPLIANCE FOR DOMESTIC USE ONLY.

For the nearest Authorized Service Center, contact:
Ewave Customer Service: 1-888-775-0202
Or visit our website at www.mcappliance.com